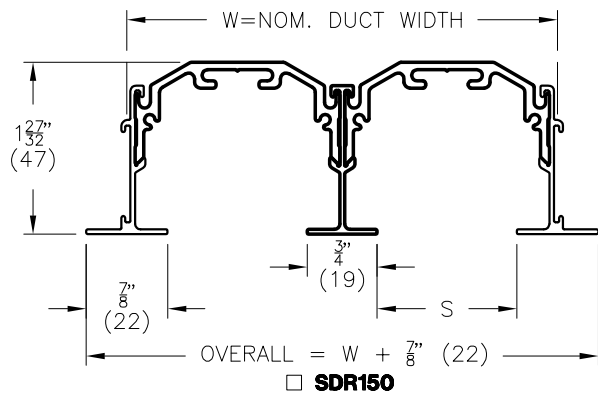
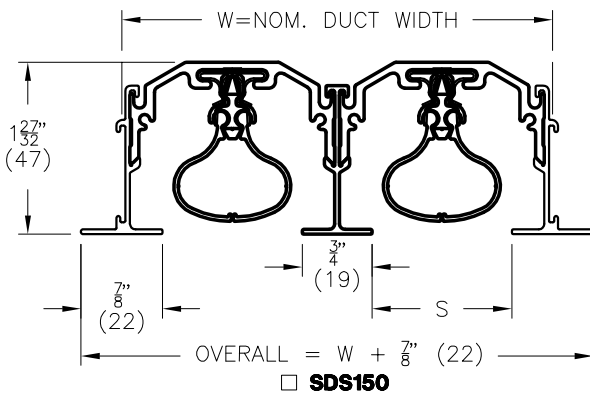
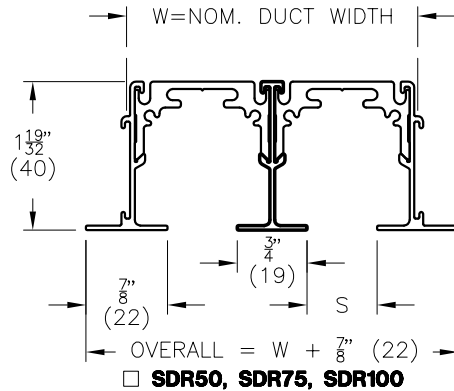
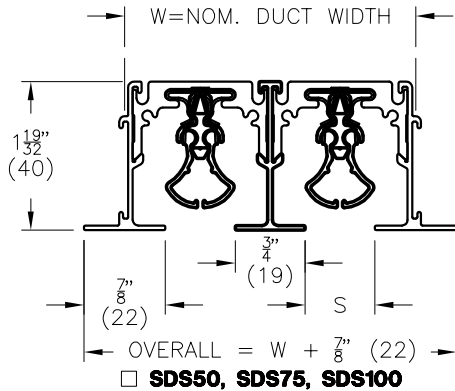


**SDS / SDR LINEAR SLOT DIFFUSER - TYPE 916
NARROW TEE FLUSH MOUNT LAY-IN APPLICATION**



FINISH:

- PATTERN CONTROLLERS - B17 BLACK
- DIFFUSER FACE - B12 WHITE (OPTIONAL FINISHES AVAILABLE)

MATERIAL:

- EXTRUDED ALUMINUM FRAME
- EXTRUDED ALUMINUM PATTERN CONTROLLERS ON MODELS SDS50, SDS150
- ROLLFORMED STEEL OR EXTRUDED ALUMINUM PATTERN CONTROLLERS ON SDS75, SDS100

NOTE:

- MINIMUM LENGTH 8" (203)
- MAXIMUM LENGTH 72" (1829)
- UNITS 6 SLOT AND LARGER SUPPLIED WITH 1" (25) REINFORCING ANGLES ATTACHED TO DIFFUSER
- 180° AIR PATTERN ADJUSTMENT AVAILABLE
- DIFFUSER FLANGES ARE FLUSH WITH T-BAR FACE
- USE TYPE 14 SDB / SDA PLENUM, OR UP / UPL
- FACTORY TOLERANCE ± 1/32" (1)
- SEE INSTALLATION INSTRUCTION I100046

MODELS:

- | | |
|------------------------|------------------------|
| SUPPLY DIFFUSERS: | RETURNS: |
| □ SDS50 - 1/2" SLOT | □ SDR50 - 1/2" SLOT |
| □ SDS75 - 3/4" SLOT | □ SDR75 - 3/4" SLOT |
| □ SDS100 - 1" SLOT | □ SDR100 - 1" SLOT |
| □ SDS150 - 1 1/2" SLOT | □ SDR150 - 1 1/2" SLOT |

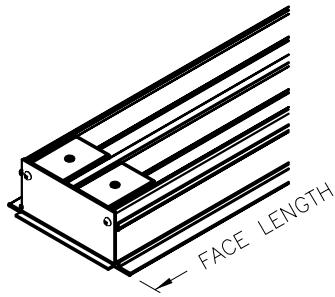
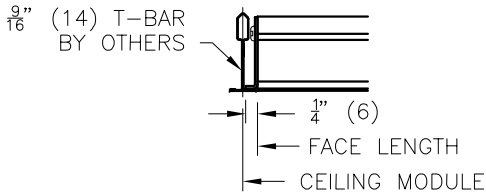
ALL METRIC DIMENSIONS () ARE SOFT CONVERTED. IMPERIAL DIMENSIONS ARE CONVERTED TO METRIC AND ROUNDED TO THE NEAREST MILLIMETER.

PROJECT:		PRICE [®]	
ENGINEER:		<i>MJ</i>	SDS / SDR TYPE 916 LINEAR DIFFUSER LAY-IN FLUSH MOUNT FOR 9/16" FLAT TEE
CUSTOMER:		238970	
SUBMITTAL DATE:	SPEC. SYMBOL:	2013/08/30	

**SDS / SDR LINEAR SLOT DIFFUSER - TYPE 916
NARROW TEE FLUSH MOUNT LAY-IN APPLICATION**

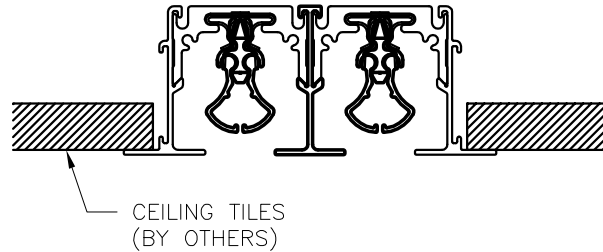
END CONDITIONS:

Z - CLOSED END CAP



MOUNTING:

- DIFFUSER ENDCAPS REST ON T-BAR
- CEILING TILES SUPPORTED BY THE SIDE FRAMES



END CONDITION	FACE LENGTH
Z-Z	CEILING MODULE - 5/8" (16)

SLOTS	W			
	SDS50	SDS75	SDS100	SDS150
1	1 3/8" (35)	1 5/8" (41)	1 7/8" (48)	2 3/8" (60)
2	2 5/8" (67)	3 1/8" (79)	3 5/8" (92)	4 5/8" (117)
3	3 7/8" (98)	4 5/8" (117)	5 3/8" (137)	6 7/8" (175)
4	5 1/8" (130)	6 1/8" (156)	7 1/8" (181)	9 1/8" (232)
5	6 3/8" (162)	7 5/8" (194)	8 7/8" (225)	11 3/8" (289)
6	7 5/8" (194)	9 1/8" (232)	10 5/8" (270)	13 5/8" (346)
7	8 7/8" (225)	10 5/8" (270)	12 3/8" (314)	15 7/8" (403)
8	10 1/8" (257)	12 1/8" (308)	14 1/8" (359)	18 1/8" (460)
9	11 3/8" (289)	13 5/8" (346)	15 7/8" (403)	20 3/8" (518)
10	12 5/8" (321)	15 1/8" (384)	17 5/8" (448)	22 5/8" (575)

ALL METRIC DIMENSIONS () ARE SOFT CONVERTED. IMPERIAL DIMENSIONS ARE CONVERTED TO METRIC AND ROUNDED TO THE NEAREST MILLIMETER.

PROJECT:		PRICE [®]
ENGINEER:		
CUSTOMER:		<i>MG</i>
SUBMITTAL DATE:		238970
SPEC. SYMBOL:		2013/08/30
SDS / SDR TYPE 916 LINEAR DIFFUSER LAY-IN FLUSH MOUNT FOR 9/16" FLAT TEE		